




Paulmann

**Safety Instructions**

1, 2, 3, 4, 5, 7, 8, 14, 19, 28, 33, 34.


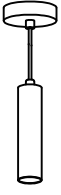


**Info**

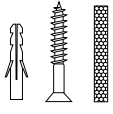
[www.paulmann.com](http://www.paulmann.com)






Paulmann Licht GmbH  
Quezinger Feld 2  
31832 Springe  
Germany  
[www.paulmann.com](http://www.paulmann.com)

Art.-Nr.: **797.37**  
(+MA 326) PIA 07/18

**Max. 1x20W LED**

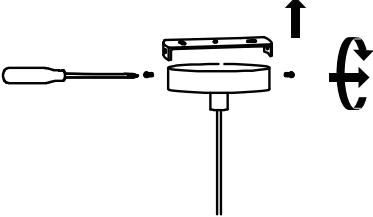
incl. 

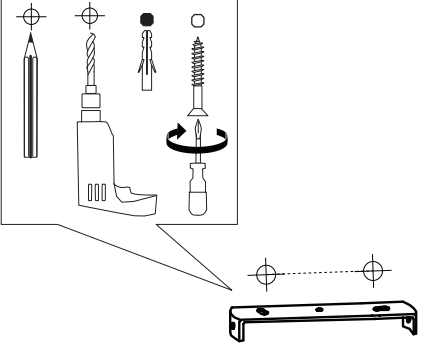
**CE**

x 1

**A**

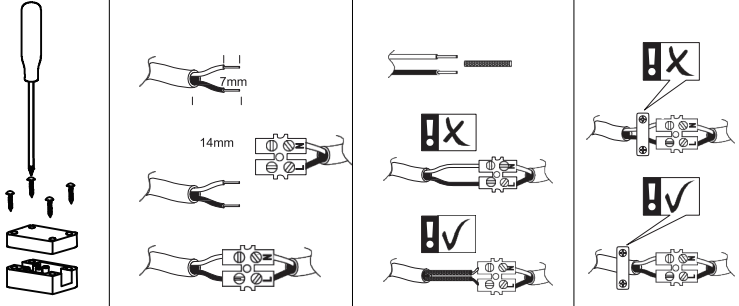


**B**



**Safety Instructions**  
Nr. 4,5,7

**C**



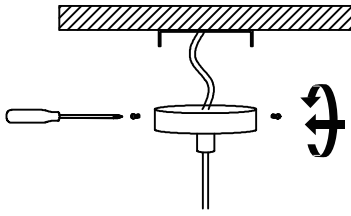
7mm

14mm

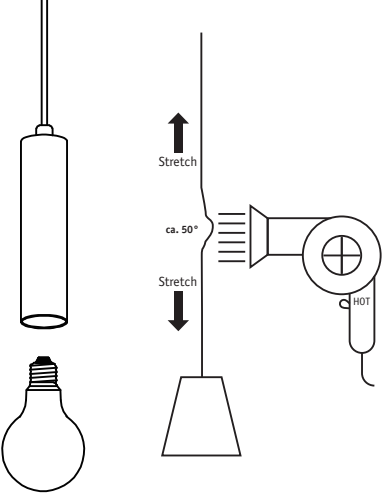
**X**

**✓**

**D**



**E**

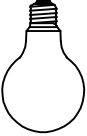



Stretch

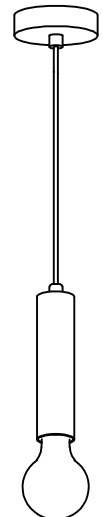
ca. 50°

Stretch

HOT

**F**



**on**

